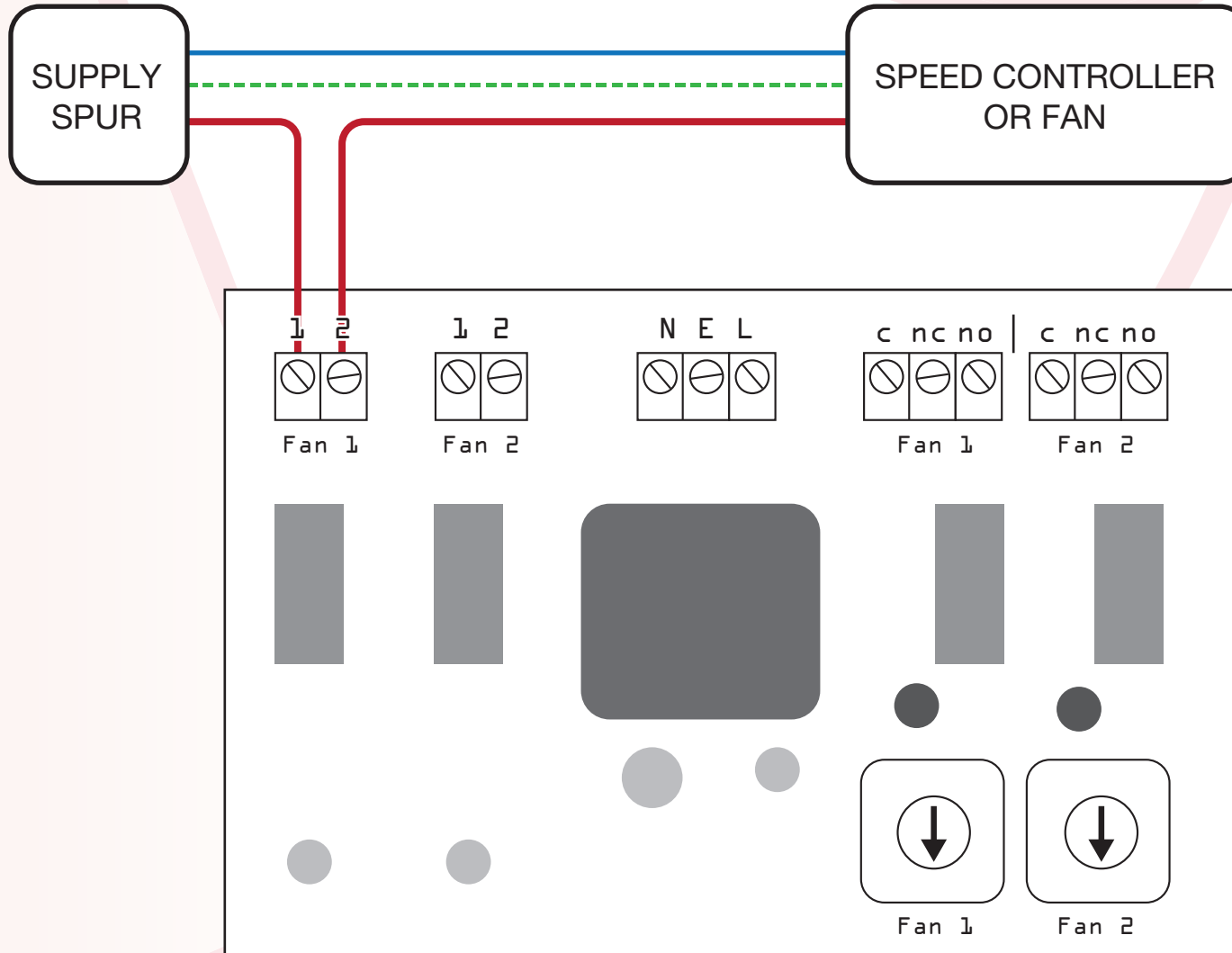


## FCS-2 (2 & 4 Fan Current Sensor)

Only 1 fan shown



### Product Information

The Intelligas FCS-2 is a 2 or 4 channel, up to 2.8KW per channel fan current sensor.

It provides relay outputs which can be wired back to an interlock system to provide fan proving.

### Supply

Either use a separate supply or bring the fan neutral and CPC into the enclosure and “double up” the supply with the fan.

### Commissioning

Once all connections have been made and double checked, run the fan (at full speed) and adjust the “pot” to the corresponding fan channel until the green LED fully illuminates.

Check the operation by turning the fan off and ensuring that the relay output for that fan channel operates.

Repeat for both fan channels of the current sensor.